

# Powered Pallet Trucks

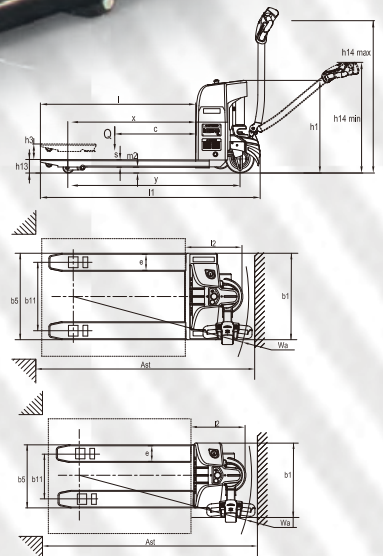
## WARRIOR EPT20-15ET Full Electric Pallet Truck

- ▶ Compact Size & Light Weight, Convenient for Operation
- ▶ Energy-saving & environment-friendly design maximizes running time
- ▶ Can replace drive wheel only by releasing six nuts
- ▶ Alternative sizes to order please call
- ▶ Easy to replace drive wheel (10 minutes)
- ▶ Weigh scale option available



WARRIOR CE

**NEW**



# Powered Pallet Trucks

# The Handling Equipment Shop

The premier name in materials handling...

	MODEL			EPT20-15ET
Distinguishing mark	1.1 Manufacturer			Warrior
	1.2 Model designation			EPT20-15ET
	1.4 Driver unit			Electric
	1.5 Type of operation			Pedestrian
	1.6 Rated capacity	Q	kg	1500
	1.7 Load centre distance	c	mm	600
	1.8 Load distance	x	mm	889/946
	1.9 Wheelbase	y	mm	1268/1231
	Weight	2.1 Service weight (include battery)		kg
2.2 Axle loading with load, driving side/loading side			kg	550/1155
2.3 Axle loading without load, driving side/loading side			kg	180/25
Types/Chassis	3.1 Tyre type driving wheels/loading wheels			PU/PU
	3.2 Tyre size, driving wheels (diameter × width)		mm	Ø210 x 70
	3.3 Tyre size, loading wheels (diameter × width)		mm	2 x Ø80 x 60
	3.4 Tyre size, caster wheels (diameter × width)		mm	/
	3.5 Wheels, number driving/loading (x=drive wheels)		mm	1 x /4
	3.6 Track width, front, driving side	b <sub>10</sub>	mm	/
	3.7 Track width, rear, loading side	b <sub>11</sub>	mm	410
Dimensions	4.4 Lift height	h <sub>3</sub>	mm	115
	4.9 Height drawbar in driving position min./max.	h <sub>14</sub>	mm	750/1170
	4.15 Lowered height	h <sub>13</sub>	mm	85
	4.19 Overall length	l <sub>1</sub>	mm	1632
	4.20 Length to fork face	l <sub>2</sub>	mm	482
	4.21 Overall width	b <sub>1</sub> /b <sub>2</sub>	mm	560
	4.22 Fork dimensions	s/e/l	mm	50/150/1150
	4.25 Distance between forks	b <sub>5</sub>	mm	240
	4.32 Ground clearance, center of wheelbase	m <sub>2</sub>	mm	35
	4.34.1 Aisle width for pallets 1000 × 1200 crossways	Ast	mm	1739
	4.34.2 Aisle width for pallets 800 × 1200 lengthways	Ast	mm	1939
4.35 Turning radius	Wa	mm	1485	
Performance	5.1 Travel speed, laden/ unladen	km/h	km/h	4/4.5
	5.2 Lifting speed, laden/ unladen		m/s	0.026/0.031
	5.3 Lowering speed, laden/ unladen		m/s	0.029/0.021
	5.8 Max. gradeability, laden/unladen			2/6
	5.10 Service brake type			Electromagnetic
Electric/engine	6.1 Drive motor rating S2 60 min		kW	0.85
	6.2 Lift motor rating at S3 15%		kW	0.84
	6.3 The maximum allowed size battery		mm	265*185*215
	6.4 Battery voltage/nominal capacity 1<20			24/85
	6.5 Battery weight		kg	25.5x2
Others	8.1 Type of drive control			DC
	8.4 Steering type			Mechanical
	8.4 Sound pressure level at the driver's ear			<74

1. The parameters in the table are of the standard model. For more information please contact us.  
2. The parameters are subject to change without notice.

All our products have a full 12 months ON SITE parts & labour warranty

12 MONTHS WARRANTY