

MAX-8

V2107.01



MAX-8

Excellent Performances & Reliability

CPCD45T8/CPCD50T8-X

T8 Diesel Forklift 4.5/5.0t

EP EQUIPMENT CO.,LTD
www.ep-ep.com



CPCD45T8/CPCD50T8-X

T8 Diesel Forklift 4.5/5.0t

		CPCD45T8		CPCD50T8-X		CPCD45T8		CPCD50T8-X		CPCD45T8		CPCD50T8-X	
General		1 Manufacture											
		2 Model											
		3 Power type	Diesel	Diesel	Diesel	Diesel	Diesel	Diesel	Diesel	Diesel	Diesel	Diesel	Diesel
		4 Rated capacity	4500	5000	5000	4500	5000	4500	5000	4500	5000	4500	5000
		5 Load center	500	500	500	500	500	500	500	500	500	500	500
		6 Lift height	3000	3000	3000	3000	3000	3000	3000	3000	3000	3000	3000
		7 Free lift height	150	150	150	150	150	150	150	150	150	150	150
		8 Fork size	1070×150×55	1070×150×55	1070×150×55	1070×150×55	1070×150×55	1070×150×55	1070×150×55	1070×150×55	1070×150×55	1070×150×55	1070×150×55
		9 Mast tilt range	6/10	6/10	6/10	6/10	6/10	6/10	6/10	6/10	6/10	6/10	6/10
		10 Fork overhang(wheel center to fork face)	565	565	565	565	565	565	565	565	565	565	565
		11 Rear overhang	540	565	540	565	540	565	540	565	540	565	565
		12 Length to face of fork	3070	3095	3070	3095	3070	3095	3070	3095	3070	3095	3095
		13 Overall width	1480	1480	1480	1480	1480	1480	1480	1480	1480	1480	1480
		14 Mast lowered height	2265	2265	2265	2265	2265	2265	2265	2265	2265	2265	2265
		15 Mast extended height	4250	4250	4250	4250	4250	4250	4250	4250	4250	4250	4250
		16 Overhead guard height	2250	2250	2250	2250	2250	2250	2250	2250	2250	2250	2250
		17 Turning radius(outside)	2830	2860	2830	2860	2830	2860	2830	2860	2830	2860	2860
		18 Min.right angle stacking aisle width (Add load length and clearance)	3595	3625	3595	3625	3595	3625	3595	3625	3595	3625	3625
		19 Travel (No/Full load)	22/20	22/20	22/20	22/20	22/20	22/20	22/20	22/20	22/20	22/20	22/20
		20 Lifting (No/Full load)	480/450	480/430	480/450	480/430	480/450	480/430	480/450	480/430	480/450	480/430	480/430
		22 Max.Drawbar Pull (Full load)	21000	21000	21000	21000	21000	21000	21000	21000	21000	21000	21000
		23 Max.Gradeability (Full load)	20	20	20	20	20	20	20	20	20	20	20
		24 Tyres	300-15-14PR	300-15-14PR	300-15-14PR	300-15-14PR	300-15-14PR	300-15-14PR	300-15-14PR	300-15-14PR	300-15-14PR	300-15-14PR	300-15-14PR
		25	700-12-12PR	700-12-12PR	700-12-12PR	700-12-12PR	700-12-12PR	700-12-12PR	700-12-12PR	700-12-12PR	700-12-12PR	700-12-12PR	700-12-12PR
		26 Tread	1180	1180	1180	1180	1180	1180	1180	1180	1180	1180	1180
		27	1190	1190	1190	1190	1190	1190	1190	1190	1190	1190	1190
		28 Wheelbase	2000	2000	2000	2000	2000	2000	2000	2000	2000	2000	2000
		29 Ground clearance	160/140	160/140	160/140	160/140	160/140	160/140	160/140	160/140	160/140	160/140	160/140
		30	195/180	195/180	195/180	195/180	195/180	195/180	195/180	195/180	195/180	195/180	195/180
		31 Self weight	6770	7050	6770	7050	6770	7050	6770	7050	6770	7050	7050
		32 Weight	9805	10484	9805	10484	9805	10484	9805	10484	9805	10484	10484
		33 Distribution	1465	1566	1465	1566	1465	1566	1465	1566	1465	1566	1566
		34	3046	3172	3046	3172	3046	3172	3046	3172	3046	3172	3172
		35 Battery	3724	3878	3724	3878	3724	3878	3724	3878	3724	3878	3878
		36	24/60	24/60	24/60	24/60	24/60	24/60	24/60	24/60	24/60	24/60	24/60
		37	SGS	SGS	SGS	SGS	SGS	SGS	SGS	SGS	SGS	SGS	SGS
		38 Manufacture	MITSUBISHI	MITSUBISHI	MITSUBISHI	MITSUBISHI	MITSUBISHI	MITSUBISHI	MITSUBISHI	MITSUBISHI	MITSUBISHI	MITSUBISHI	MITSUBISHI
		39 Rated output/r.p.m	52/2300	55/2200	52/2300	55/2200	52/2300	55/2200	52/2300	55/2200	52/2300	55/2200	55/2200
		40 Engine	248/1700	300/1600	248/1700	300/1600	248/1700	300/1600	248/1700	300/1600	248/1700	300/1600	300/1600-1800
		41	6	6	6	6	6	6	6	6	6	6	4
		42 Borex/Stroke	94*120	94*120	94*120	94*120	94*120	94*120	94*120	94*120	94*120	94*120	98*115
		43 Displacement	4996	4996	4996	4996	4996	4996	4996	4996	4996	4996	3460
		44 Fuel tank capacity	L	L	L	L	L	L	L	L	L	L	L
		45 Power & transmission											
		46											
		47											
		48 Operating pressure	Mpa	Mpa	Mpa	Mpa	Mpa	Mpa	Mpa	Mpa	Mpa	Mpa	Mpa

1.Special lifting height available for further information please contact us. 2.Attachment available.

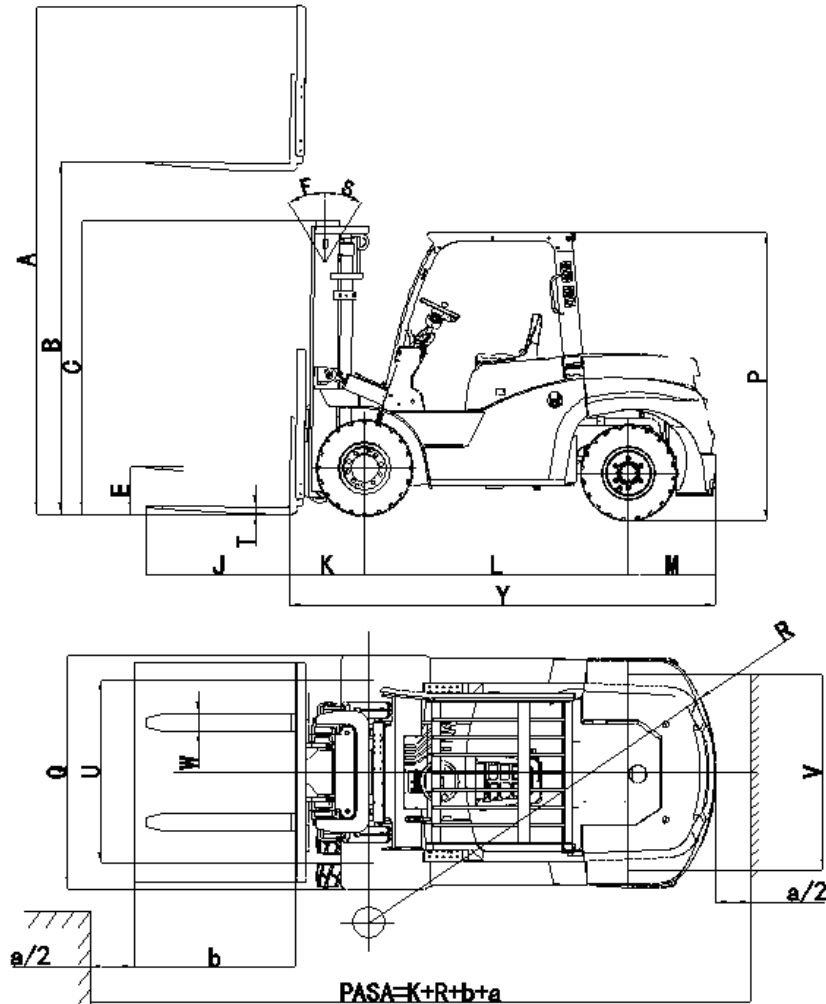
3.The specification in the table are for standard models only. For further information please contact us.

4.Specification are subject to change without notice.

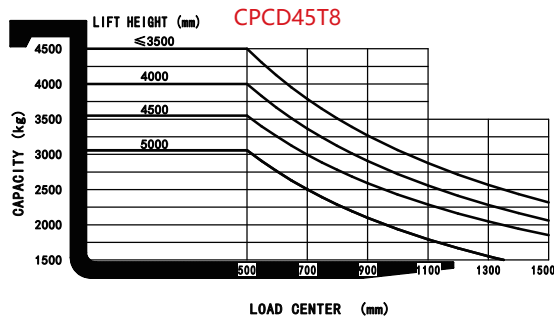
Mast Option

4.5/5.0t T8 series mast: (pneumatic)

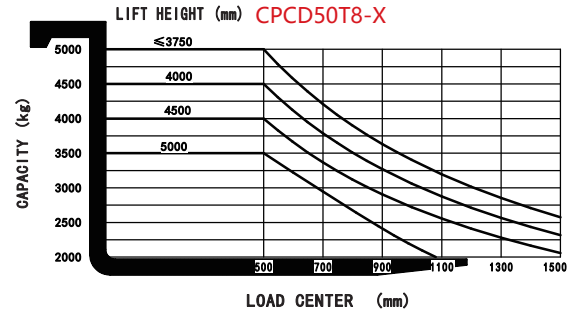
Type	Model	Max fork height	Overall height			Free lift		Front Overhang	Tilt range		Capacity	
			Lowered	Extended		Without backrest	With backrest		FWD	BWD	Load capacity at 500 mm	
				Without backrest	With backrest						4.5t	5.0t
				mm	mm							
Wide view mast	2W300	3000	2280	4175	3770	145	145	565	6	10	4500	5000
	2W330	3300	2430	4475	4070	145	145	565	6	10	4500	5000
	2W350	3500	2530	4675	4270	145	145	565	6	10	4500	5000
	2W370	3700	2630	4875	4470	145	145	565	6	10	4350	4800
	2W400	4000	2830	5175	4770	145	145	565	6	6	4250	4750
	2W425	4250	2955	5425	5020	145	145	565	6	6	3800	4250
	2W450	4500	3080	5675	5270	145	145	565	6	6	3150	3500
wide view full 2-stage mast	2F271	2710	2250	3885	3480	1055	1355	565	6	10	4500	5000
	2F300	3000	2395	4175	3770	1200	1500	565	6	10	4500	5000
	2F330	3300	2545	4475	4070	1350	1650	565	6	10	4500	5000
	2F350	3500	2645	4675	4270	1450	1750	565	6	10	4500	5000
wide view full 3-stage mast	3F400	4000	2080	4780	5200	1230	900	578	6	6	4000	4500
	3F435	4350	2195	5130	5550	1345	1015	578	6	6	3800	4250
	3F450	4500	2245	5280	5700	1395	1065	578	6	6	3600	4000
	3F470	4700	2310	5480	5900	1460	1130	578	6	6	3350	3750
	3F500	5000	2460	5780	6200	1610	1280	578	6	6	3150	3500
	3F550	5500	2680	6280	6700	1830	1500	578	3	6	2550	2850
3F600	6000	2845	6780	7200	1995	1665	578	3	6	1950	2200	



CAPACITY CHART



CAPACITY CHART



Option

Options	45T8	50T8-X
1 Fork length	○	○
2 Fork extension	○	○
3 Fold fork	○	○
4 Imported diesel engine	○	○
5 High exhaust	○	○
6 Dual air cleaners or special air cleaner	○	○
7 Solid rubber tire	○	○
8 No marking solid tire	○	○
9 Overhead guard	●	●
10 Mast options	○	○
11 Attachments	○	○
12 Integrated side shift	○	○
13 Cabin	○	○
14 Heater	○	○
15 Front windshield with wiper	○	○
16 Rear windshield with wiper	○	○
17 Fan	○	○
18 Cabin without side door	○	○
19 Fire extinguisher	○	○
20 Suspension seat	○	○
21 Front work light	●	●
22 Rear working LED light	○	○
23 OPS system	○	○

Note: ● standard ○ option — NA

