



CPD15/20L1

Electric Counterbalance Forklift
Truck 1.5/2.0T **LI-ION**
TECHNOLOGY

- High efficiency with high performance;
- IPX4 Rated, Suitable for Outdoor Usage;
- Standard Lithium battery, fast charging and convenient using;
- High comfort for operation with larger cab;

EP EQUIPMENT CO.,LTD
www.ep-ep.com

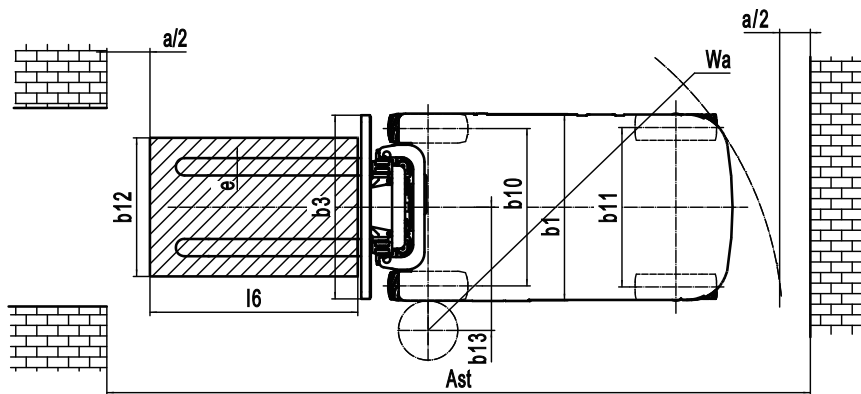
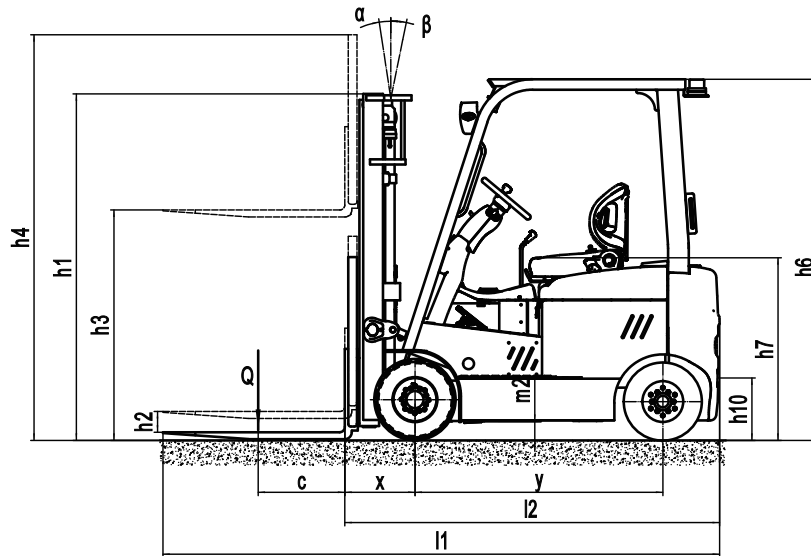


Electric Counterbalance Forklift Truck 1.5/2.0T

CPD15/20L1

| | | | | | | |
|---------------------|----------------|---------------------------------------------|----------------|-----------------|-----------------|-----------------|
| Distinguishing mark | 1.1 | Manufacturer | | | EP | EP |
| | 1.2 | Model designation | | | CPD15L1 | CPD20L1 |
| | 1.3 | Drive | | | Electric | Electric |
| | 1.4 | Operator type | | | Seated | Seated |
| | 1.5 | Load capacity | Q | kg | 1500 | 2000 |
| | 1.6 | Load center distance | c | mm | 500 | 500 |
| | 1.8 | Load distance, centre of drive axle to fork | x | mm | 405 | 405 |
| | 1.9 | Wheelbase | y | mm | 1470 | 1470 |
| | Service weight | 2.1 | Service weight | | kg | 2640 |
| 2.2 | | Axle loading, laden front/rear | | kg | 3615/525 | 4380/570 |
| 2.3 | | Axle loading, unladen front/rear | | kg | 1190/1450 | 1155/1795 |
| Tyres/chassis | 3.1 | Tyre type | | | Solid rubber | Solid rubber |
| | 3.2 | Tyre size, front | | | 18X7-8 | 200/50-10 |
| | 3.3 | Tyre size, rear | | | 5.00-8 | 5.00-8 |
| | 3.5 | Wheels, number front/rear (x=drive wheels) | | mm | 2x/2 | 2x/2 |
| | 3.6 | Tread width, front | b10 | mm | 910 | 910 |
| | 3.7 | Tread width, rear | b11 | mm | 920 | 920 |
| Dimensions | 4.1 | Tilt of mast/fork carriage forward/backward | α/β | $^{\circ}$ | 6/11 | 6/11 |
| | 4.2 | Retracted mast height | h1 | mm | 1990 | 1990 |
| | 4.3 | Free lift | h2 | mm | 105 | 105 |
| | 4.4 | Lift height | h3 | mm | 3000 | 3000 |
| | 4.5 | Height, mast extended | h4 | mm | 4028 | 4028 |
| | 4.7 | Height of overhead guard (cabin) | h6 | mm | 2080 | 2080 |
| | 4.8 | Seat height/standing height | h7 | mm | 1050 | 1050 |
| | 4.12 | Tow coupling height | h10 | mm | 360 | 360 |
| | 4.19 | Overall length | l1 | mm | 3270 | 3270 |
| | 4.20 | Length to face of forks | l2 | mm | 2200 | 2200 |
| | 4.21 | Overall width | b1/b2 | mm | 1080 | 1080 |
| | 4.22 | Fork dimensions | s/e/l | mm | 40×100×1070 | 40×122×1070 |
| | 4.23 | A,B Fork carriage class/type A, B | | | 2A | 2A |
| | 4.24 | Fork carriage width | b3 | mm | 1040 | 1040 |
| | 4.31 | Ground clearance, laden, below mast | m1 | mm | 110 | 110 |
| | 4.32 | Ground clearance, center of wheelbase | m2 | mm | 105 | 105 |
| | 4.34.1 | Aisle width for pallets 1000×1200 crossways | Ast | mm | 3685 | 3685 |
| | 4.34.2 | Aisle width for pallets 800×1200 crossways | Ast | mm | 3885 | 3885 |
| | 4.35 | Turning radius | Wa | mm | 2080 | 2080 |
| Performance data | 5.1 | Travel speed, laden/unladen | | km/h | 10.5/14 | 10.5/14 |
| | 5.2 | Lifting speed, laden/unladen | | m/s | 0.3/0.42 | 0.28/0.42 |
| | 5.3 | Lowering speed, laden/unladen | | m/s | 0.42/0.45 | 0.43/0.45 |
| | 5.5 | Drawbar pull, laden/unladen | | N | — | — |
| | 5.6 | Max. drawbar pull, laden/unladen | | N | — | 10000 |
| | 5.8 | Max. gradeability, laden/unladen | | % | 10.5/14 | 10.5/14 |
| | 5.10 | Service brake | | | Electromagnetic | Electromagnetic |
| 5.11 | Parking brake | | | Electromagnetic | Electromagnetic | |
| Electric-engine | 6.1 | Drive motor rating S2 60 min | | kW | 6 | 6 |
| | 6.2 | Lift motor rating at S3 15% | | kW | 7.5 | 7.5 |
| | 6.4 | Battery voltage/nominal capacity | | V/Ah | 48/360 | 48/360 |
| | 6.5 | Battery weight | | kg | 260 | 260 |
| Addition data | 8.1 | Type of drive control | | | AC | AC |
| | 10.5 | Steering design | | | Hydraulic | Hydraulic |
| | 10.7 | Sound pressure level at the driver's ear | | dB(A) | 70 | 70 |

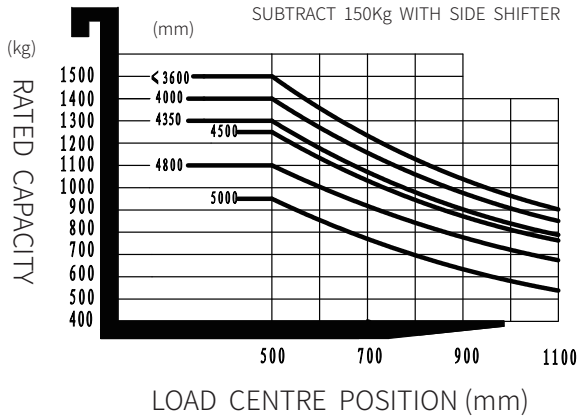
If there are improvements of technical parameters or configurations, no further notice will be given.
The diagram shown may contain non-standard configurations.



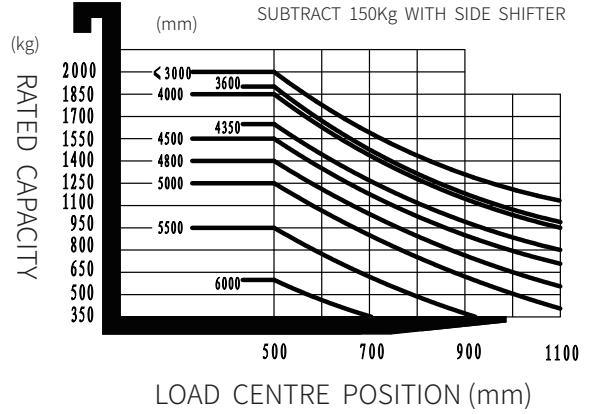
Mast Option

| Mast types | Lift height (h_3) | Height, Mast | | | Height, Free lift(h_2) | |
|-----------------|--------------------------|----------------------------------|--------------------------------|---------------|----------------------------|---------------|
| | | Height, mast lowered(h_1) | Height, mast extended(h_4) | | No shelving | With shelving |
| | | | No shelving | With shelving | | |
| | mm | mm | mm | mm | mm | mm |
| 2-Standard Mast | 2700 | 1840 | 3185 | 3728 | 105 | 105 |
| | 3000 | 1990 | 3485 | 4028 | 105 | 105 |
| | 3300 | 2140 | 3785 | 4328 | 105 | 105 |
| | 3600 | 2290 | 4085 | 4628 | 105 | 105 |
| 2-Free Mast | 3000 | 2023 | 3485 | 4028 | 1538 | 995 |
| | 3300 | 2173 | 3785 | 4328 | 1688 | 1145 |
| | 3600 | 2323 | 4085 | 4628 | 1838 | 1295 |
| 3-Free Mast | 4000 | 1845 | 4485 | 5028 | 1360 | 817 |
| | 4350 | 1995 | 4844 | 5378 | 1501 | 967 |
| | 4500 | 2045 | 4994 | 5528 | 1551 | 1017 |
| | 4800 | 2145 | 5294 | 5828 | 1651 | 1117 |
| | 5000 | 2210 | 5494 | 6028 | 1716 | 1182 |

RATED CAPACITIES AND LOAD CENTERES GRAPH



RATED CAPACITIES AND LOAD CENTERES GRAPH



Option

| No. | Optional items | CPD15L1/20L1 |
|-----|-----------------------------|--------------|
| 3 | Fork length | ○ |
| 6 | Folding fork | ○ |
| 7 | Weighting system with fork | ○ |
| 12 | Solid rubber tire | ● |
| 13 | Environmental solid tire | ○ |
| 15 | Battery capacity | ○ |
| 19 | Lateral change battery | ● |
| 20 | Side shift | ○ |
| 21 | Overhead guard | ○ |
| 22 | Mast options | ○ |
| 30 | Attachments | ○ |
| 37 | Front light | ● |
| 39 | Back light | ○ |
| 40 | Warning light | ● |
| 41 | Fire extinguisher | ○ |
| 42 | Seat | ○ |
| 43 | With fan heater | ○ |
| 46 | With front windshield wiper | ○ |
| 48 | With rear windshield wiper | ○ |
| 49 | Cockpit | ○ |
| 50 | Rearview | ● |
| 51 | OPS system | ○ |
| 52 | Backrest width | ○ |
| 53 | Air fan | ○ |
| 54 | Charging voltage | ○ |
| 55 | Drive-in Rack | ○ |
| 56 | IPX4 | ○ |

Note: ● standard ○ option — NA