



CPD45/50F8

Electric Counterbalance Forklift

Truck 4.5/5.0T **LION** TECHNOLOGY

- Large load with lithium battery;
- High strength, high reliability;
- Stable performance, super bearing capacity;
- Accord with ergonomics, comfortable operation.

EP EQUIPMENT CO.,LTD
www.ep-ep.com

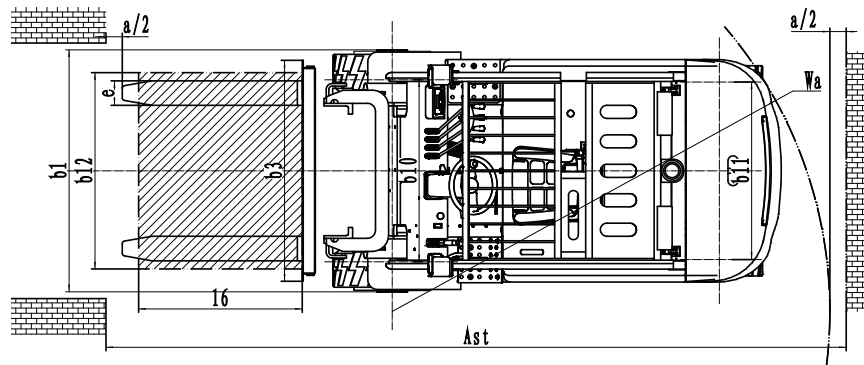
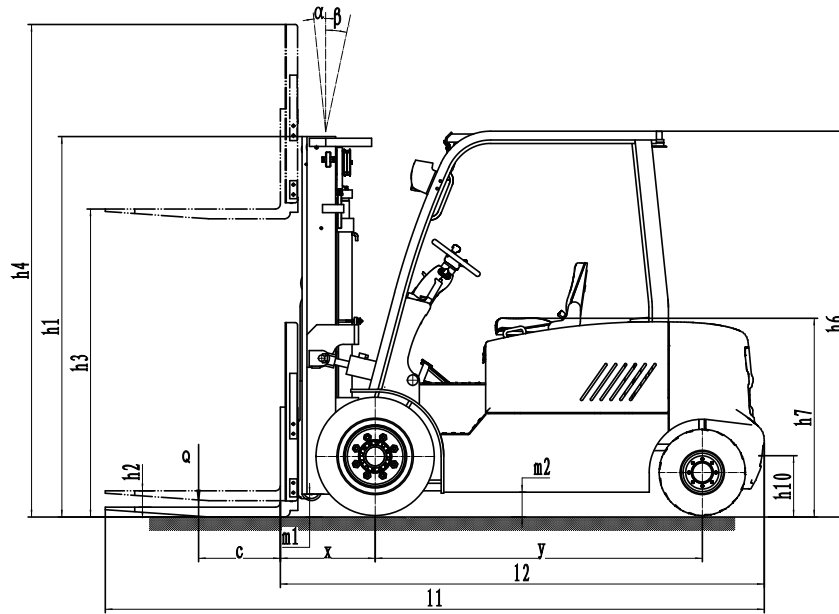


Electric Counterbalance Forklift Truck 4.5/5.0T

CPD45/50F8

Distinguishing mark					
1.1	Manufacturer			EP	EP
1.2	Model designation			CPD45F8	CPD50F8
1.3	Drive unit			Electrics	Electrics
1.4	Operator type			seated	seated
1.5	rated capacity	Q	kg	4.5	5
1.6	Load center distance	c	mm	500	500
1.8	Load distance, centre of drive axle to fork	x	mm	548	548
1.9	Wheelbase	y	mm	2000	2000
Weight					
2.1	Service weight (include battery)		kg	7150	7450
2.2	Axle loading, laden driving wheels /steering wheels		kg	10915/1235	10965/1485
2.3	Axle loading, unladen driving wheels /steering wheels		kg	3375/3775	3425/4025
Types, Chassis					
3.1	Tyre type, driving wheels /steering wheels			solid rubber/Pneumatic	solid rubber/Pneumatic
3.2	Tyre size, driving wheels (diameter×width)		mm	28x12.5-15	28x12.5-15
3.3	Tyre size, steering wheels (diameter×width)		mm	23X10-12	23X10-12
3.5	Wheels, number driving/steering (x=drive wheels)		mm	2X/2	2X/2
3.6	Tread, Driving wheels	b ₁₀	mm	1112	1262
3.7	Tread, Steering wheels	b ₁₁	mm	1085	1085
Dimensions					
4.1	Tilt of mast/fork carriage forward/backward	α/ β (°)		6/10	6/10
4.2	Height, mast lowered	h ₁	mm	2250	2250
4.3	Free lift (load backrest)	h ₂	mm	150	150
4.4	Lift height	h ₃	mm	3000	3000
4.5	Height, mast extended	h ₄	mm	4120	4120
4.7	Height of overhead guard (cabin)	h ₆	mm	2353	2353
4.8	Seat height	h ₇	mm	1208	1208
4.12	Tow center of pin height	h ₁₀	mm	375	375
4.19	Overall length	l ₁	mm	4027	4127
4.20	Length to face of forks	l ₂	mm	2958	3058
4.21	Overall width	b ₁ / b ₂	mm	1550	1550
4.22	Fork dimensions	s/ e/ l	mm	50X150X1070	55X150X1070
4.23	Fork carriage class/type A, B			3A	3A
4.24	Fork carriage width	b ₃	mm	1350	1350
4.31	Ground clearance, laden, below mast	m ₁	mm	130	130
4.32	The minimum ground clearance of frame	m ₂	mm	140	140
4.34.1	Aisle width for pallets 1000 × 1200 crossways	Ast	mm	4424	4450
4.34.2	Aisle width for pallets 800 × 1200 lengthways	Ast	mm	4624	4650
4.35	Turning radius	Wa	mm	2675.5	2735.5
Performance data					
5.1	Travel speed, laden/ unladen		km/ h	14/14.5	14/14.5
5.2	Lifting speed, laden/ unladen		m/ s	0.26/0.45	0.26/0.45
5.3	Lowering speed, laden/ unladen		m/ s	0.55/ 0.5	0.55/ 0.5
5.5	Drawbar pull, laden/unladen		N	—	—
5.6	Max. drawbar pull, laden/unladen (time)		N	26000	26000
5.7	Gradeability, laden/unladen		%	—	—
5.8	Max. gradeability, laden/unladen		%	14/15	14/15
5.10	Service brake type			hydraulic/Mechanical	hydraulic/Mechanical
	park brake type			Mechanical	Mechanical
Electric engine					
6.1	Drive motor rating S2 60 min		kW	16.6	16.6
6.2	Lift motor rating at S3 15%		kW	25.4	25.4
6.3	The maximum allowed size battery		mm	—	—
6.4	Battery voltage/nominal capacity K5		V/ Ah	80/540	80/540
6.5	Battery weight		kg	405	405
Addition data					
8.1	Type of drive unit			AC	AC
10.5	Steering type			—	—
10.7	Sound pressure level at the driver's ear		dB (A)	70	70

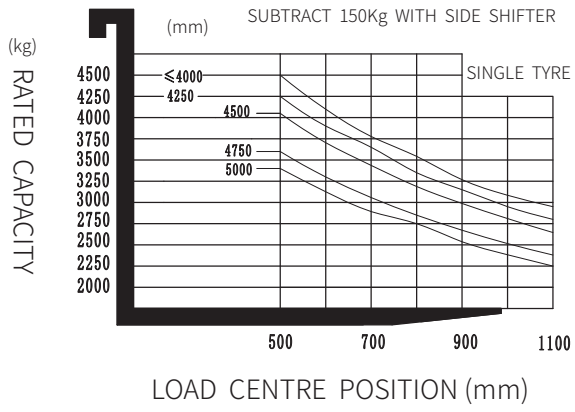
If there are improvements of technical parameters or configurations, no further notice will be given.
The diagram shown may contain non-standard configurations.



Mast Option

Type	Model	Max. fork height	Overall height			Free lift		Front Overhang		Tilt range		Capacity	
			Lowered	Extended		Without backrest	With backrest	4.5t	5t	FWD	BWD	Load capacity at 500 mm	
				Without backrest	With backrest							single tire	
												4.5t	5t
mm	mm	mm	mm	mm	mm	mm	mm	Deg	Deg	kg	kg		
Wide view mast	2W250	2500	1983	3219	3656	150	150	548	548	6	10	4500	5000
	2W270	2700	2083	3419	3856	150	150	548	548	6	10	4500	5000
	2W300	3000	2233	3719	4156	150	150	548	548	6	10	4500	5000
	2W330	3300	2383	4019	4456	150	150	548	548	6	10	4500	5000
	2W350	3500	2483	4219	4656	150	150	548	548	6	10	4500	5000
	2W370	3700	2583	4419	4856	150	150	548	548	6	10	4450	4950
	2W400	4000	2733	4719	5156	150	150	548	548	6	10	4250	4750
	2W425	4250	2858	4969	5406	150	150	548	548	6	6	4050	4550
	2W450	4500	2983	5219	5656	150	150	548	548	6	6	3800	4250
	2W475	4750	3108	5469	5906	150	150	548	548	6	6	3400	3780
2W500	5000	3233	5719	6156	150	150	548	548	6	6	3150	3500	
wide viewfull 2-stage mast	2F260	2610	2123	3398	3786	1341	995	569	569	6	10	4500	5000
	2F270	2710	2173	3498	3886	1391	1045	569	569	6	10	4500	5000
	2F300	3000	2318	3788	4176	1536	1190	569	569	6	10	4500	5000
	2F330	3300	2468	4088	4476	1686	1340	569	569	6	10	4500	5000
	2F350	3500	2568	4288	4676	1786	1440	569	569	6	10	4500	4950
	2F400	4000	2818	4788	5176	2036	1690	569	569	6	10	3900	4650
wide viewfull 3-stage mast	3F400	4000	2153	4758	5161	1371	1025	599	599	6	10	4500	4750
	3F435	4350	2268	5108	5511	1486	1140	599	599	6	6	3750	4150
	3F450	4500	2318	5258	5661	1536	1190	599	599	6	6	3600	4000
	3F480	4800	2418	5558	5961	1636	1290	599	599	6	6	3350	3750
	3F500	5000	2483	5758	6161	1701	1355	599	599	6	6	3150	3500
	3F550	5500	2653	6258	6661	1871	1525	599	599	3	6	2550	2850
	3F600	6000	2818	6758	7161	2036	1690	599	599	3	6	1950	2200

RATED CAPACITIES AND LOAD CENTERES GRAPH



RATED CAPACITIES AND LOAD CENTERES GRAPH

